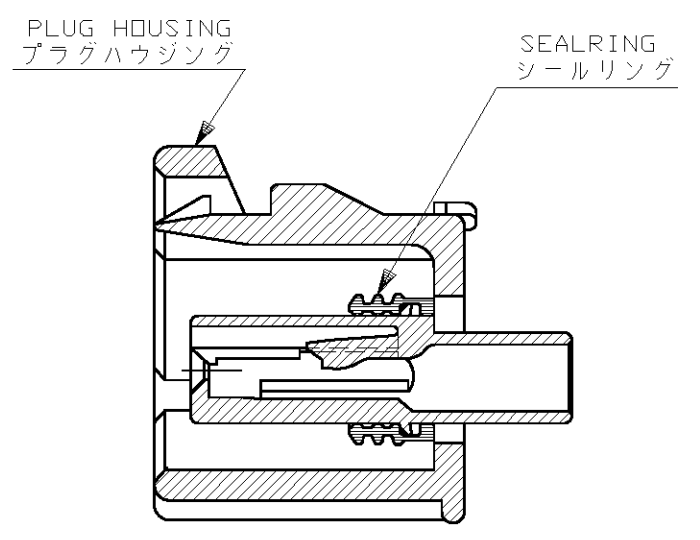
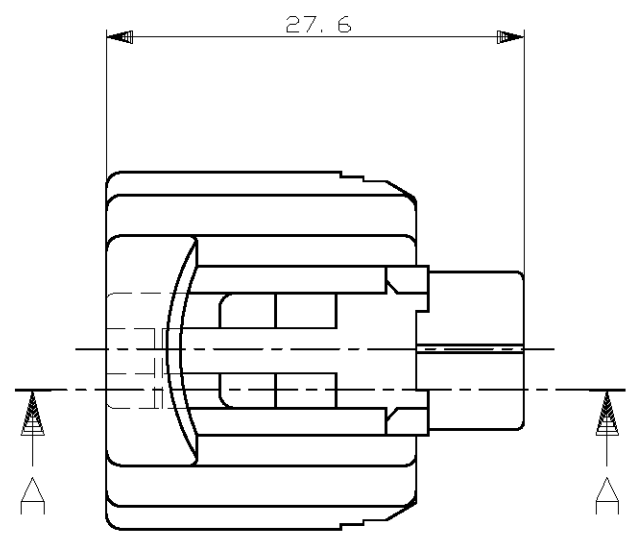
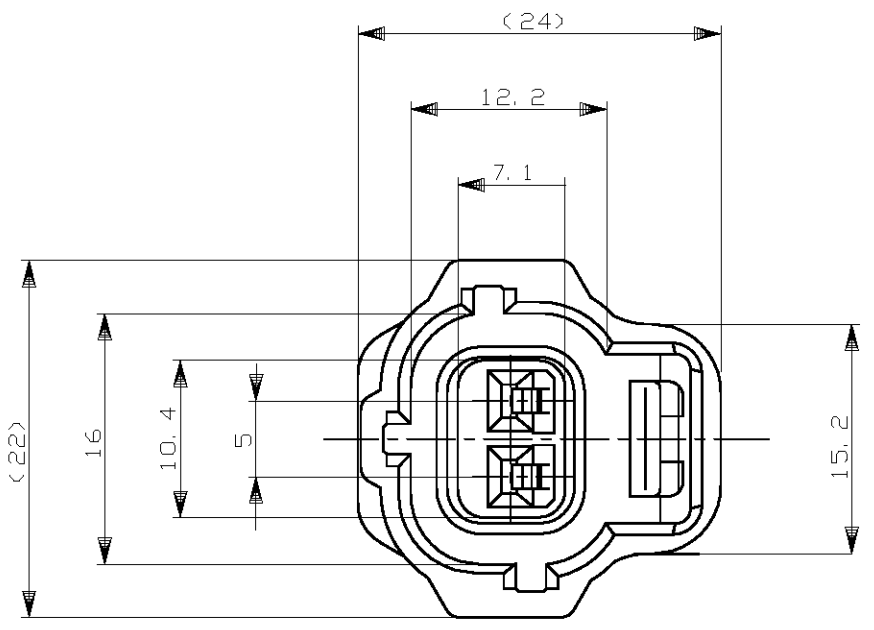


THIS DRAWING IS UNPUBLISHED. RELEASED FOR PUBLICATION  
 © COPYRIGHT - By - ALL RIGHTS RESERVED.

LOC	DIST	REVISIONS					
		P	LTR	DESCRIPTION	DATE	DWN	APVD
J	-	E1	REVISED	ECR-14-002382	10MAR2014	TS	KB



SECT 断面 A-A

- 1. 本品はプラグハウジング単体とNBR製シールリングから構成されている。
- 2. 適用端子型番；下表による。

- 1. THIS PRODUCT CONSISTS OF A PLUG HOUSING AND A SEAL RING WHICH IS MADE OF NBR.
- 2. APPLIED CONTACT ;

CONTACT PN	WIRE RANGE	INSULATION DIA
171630	AVS 0.2~AV0.5	1.4φ~2.4φ
171662	AVS 0.5~1.25	2φ~2.6φ

DARK GREEN / 濃緑	1-174374-4
GRAY / 灰	174374-6
GREEN / 緑	174374-4
BROWN / 茶	174374-3
COLOR / 色	PART NUMBER

TOLERANCES UNLESS OTHERWISE SPECIFIED:

10 ≥	: ±0.2
30 ≥	> 10 : ±0.25
100 ≥	> 30 : ±0.3
ANGLE : ±3°	

THIS DRAWING IS A CONTROLLED DOCUMENT.		DWN	C.TAGUCHI		2/23'88	TE Connectivity											
DIMENSIONS: mm		CHK	M.TSUKAKOSHI		2/22'89												
TOLERANCES UNLESS OTHERWISE SPECIFIED:		APVD	Y.MATSUSAKA		2/22'89												
<table border="1"> <tbody> <tr> <td>0 PLC</td> <td>± -</td> </tr> <tr> <td>1 PLC</td> <td>± -</td> </tr> <tr> <td>2 PLC</td> <td>± -</td> </tr> <tr> <td>3 PLC</td> <td>± -</td> </tr> <tr> <td>4 PLC</td> <td>± -</td> </tr> <tr> <td>ANGLES</td> <td>± -</td> </tr> </tbody> </table>		0 PLC	± -	1 PLC	± -			2 PLC	± -	3 PLC	± -	4 PLC	± -	ANGLES	± -	NAME	
0 PLC	± -																
1 PLC	± -																
2 PLC	± -																
3 PLC	± -																
4 PLC	± -																
ANGLES	± -																
MATERIAL		PBT GRASS FILLED (ガラス入り)		FINISH	-		SIZE	CAGE CODE	DRAWING NO	RESTRICTED TO							
WEIGHT		5.3 g		CUSTOMER DRAWING		SCALE	2:1	SHEET	1 OF 1	REV	E1						